



OPERATION MANUAL



**2.0 MULTIMEDIA
SPEAKER SYSTEM**

S-250

2.0 Multimedia Speaker System

S-250

Congratulations on your purchase of the TM REAL-EL speaker system!

Please read this Operation Manual before using the unit and retain this Operation Manual in a safe place for future reference.

COPYRIGHT

© 2019. ENEL GROUP OU.

This manual and information contained in it are copyrighted. All rights reserved.

TRADEMARKS

All trademarks are the property of their legal holders.

BUYER RECOMMENDATIONS

- Unpack the device carefully. Make sure there are no accessories left in the box. Check up the device for damage; if the product was damaged during transportation, address the firm, which carried out the delivery; if the product functions incorrectly, address the dealer at once.
- Check up the package contents and availability of the warranty card. Make sure the warranty card has a shop stamp, a legible signature or the seller's stamp and purchase date, and the goods number corresponds to that in the warranty card. Remember that at the loss of warranty card or lack of coincidence of numbers you are deprived the right on warranty repair.
- Do not switch on the product immediately after you bring it into a room from environment with negative temperature! After unpacking, the product should be kept in conditions of room temperature for at least 4 hours.

2. PACKAGE CONTENTS

- Speaker system – 1 pc
- 2RCA to mini-jack Ø 3.5 mm stereo signal cable – 1 pc
- User's manual – 1 pc
- Warranty card – 1 pc

3. SAFETY PRECAUTIONS

- Do not open the multimedia speaker system (MSS) and do not perform repairs by yourself. Service and repairs should be performed only by qualified specialists at authorized service centers. The list of authorized service centers is on www.real-el.com
- Make sure that foreign objects do not get inside the holes of the MSS.
- Protect the MSS from high humidity, water and dust.
- Protect the MSS from heating: do not place it closer than 1 m from a heat source. Do not expose it to direct sunlight.
- Do not use any chemical agents for cleaning. Clean it with dry soft cloth only.
- If the MSS does not operate, unplug USB cable it and address your dealer.

4. TECHNICAL DESCRIPTION AND CONNECTION

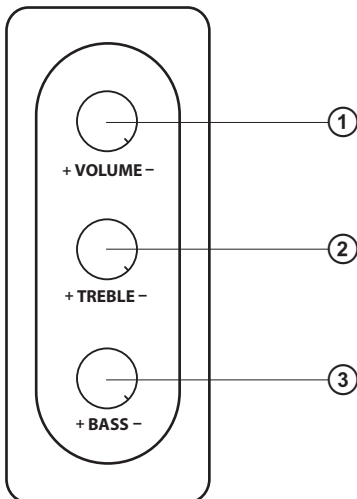
Multimedia Speaker System (MSS) is designed to play music and sound games, movies, etc. The MSS enabling to connect to virtual to any audio source (CD/DVD-player, TV, phone, PC, etc.) without using an additional power amplifier.

MSS special features

- Compact design
- Improved sound transmission system
- Compatible with laptops, mobile devices and other sound sources

Active speaker front side

- ① VOLUME: volume control knob
- ② TREBLE: treble control knob
- ③ BASS: bass control knob



2.0 Multimedia Speaker System

S-250

Rear panels

- ① Cable mini jack 3,5 mm to 2RCA
- ② Power switch
- ③ Built-in audio cable

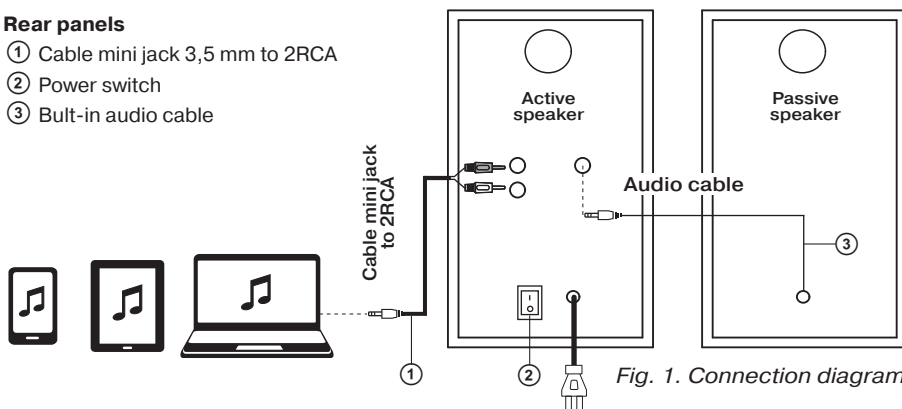


Fig. 1. Connection diagram

5. PREPARATION AND OPERATION

Speaker placement

- Place the speakers symmetrically to the listener at least one meter away.
- Place MSS far away from monitors and TV sets, as insignificant image distortion in these supersensitive devices is possible.

MSS Connecting

Multimedia Speaker System (MSS) can be connected to on your computer or laptop (see connection diagram, Fig. 1).

- Connect passive and active speakers ③.
- Plug-in power cable to mains and turn ON ②.
- Plug signal cable mini jack ① to PC sound card or to audio output of the audio source.
- Adjust speaker volume level by Windows tools or using volume control at your own discretion.

6. TROUBLESHOOTING

Problem	Cause	Solution
The MSS does not turn on.	The MSS isn't connected to a mains outlet.	Check the connection.
No sound or sound of speakers is too quiet.	Volume level is set at its minimum value.	Adjust the volume control knob.
	Improperly connected audio source.	Connect audio sources correctly.
Distortion of sound.	Large amplitude of the input signal.	Turn down the source volume and the MSS volume.

Attention! If none of the above methods can solve the problem, please seek professional advice at your nearest service center. Never attempt to repair the product yourself.

7. TECHNICAL SPECIFICATIONS

Parameter, measurement unit	S-250
Output power (RMS), W	20 (10 + 10)
Frequency range, Hz	65 – 20.000
Speaker dimensions, mm	Ø 76 + 25
Connection, mm	Ø 3.5
Power supply	230V / 50Hz
Case material	wood (MDF)
Dimensions (one speaker), mm	120 × 235 × 190
Weight, kg	3

Notes:

- **Technical specifications given in this table are supplemental information and cannot give occasion to claims.**
- **Technical specifications and package contents are subject to change without notice due to the improvement of REAL-EL production.**



Models: **S-250**

Manufacturer: ENEL GROUP OU, Harju maakond, Rae vald, Jüri alevik,
Aruküla tee 55a, 75301, Estonia. Made in China.

© **Registered Trademark of ENEL GROUP OU. Estonia.**